

### Features

- Above-counter valve for easy installation and maintenance.
- Vandal-resistant aerator.
- 5" (127 mm) spout reach.
- Without temperature mixer.
- Includes 30-year Hybrid Energy Cell.
- Less drain.
- 0.5 gal/min (1.9 l/min) flow rate.
- Powered by the 30-year hybrid energy system.
- Insight™ adaptive infrared technology.
- Waterproof shroud protects electronic components.
- Water-saving vandal-resistant 0.5 gpm aerator.

### Material

- Brass construction.

### Installation

- Single-hole mounting.
- 24" (610 mm) flexible supply hoses for easy installation.

### Optional Products/Accessories

K-99799 Thermostatic Tempering Valve  
K-13478-A Escutcheon Plate  
K-13478-B Escutcheon Plate  
K-13479-A Escutcheon Plate  
K-13479-B Escutcheon Plate  
K-7129 Drain  
K-7129-A Drain  
1160595 .35 gpm Aerator, Medium



ADA CSA B651 OBC

### Codes/Standards



ASME A112.18.1/CSA B125.1  
NSF/ANSI 372  
All applicable US Federal and State material regulations  
DOE - Energy Policy Act 1992  
ADA  
ICC/ANSI A117.1  
CSA B651  
OBC

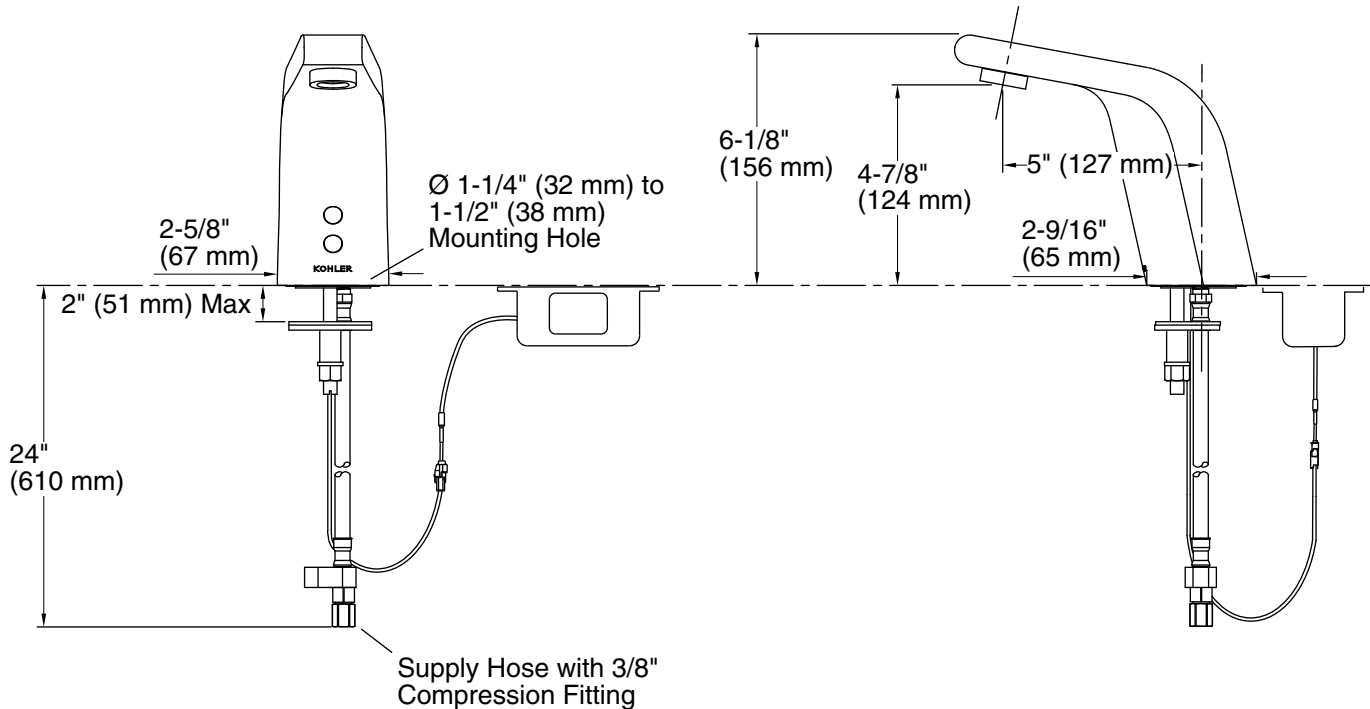
### KOHLER® Electronic Faucets, Valves, and Controls Five-Year Limited Warranty

See website for detailed warranty information.

### Available Colors/Finishes

*Color tiles intended for reference only.*

Color	Code	Description
	CP	Polished Chrome
	VS	Vibrant® Stainless



### Technical Information

All product dimensions are nominal.

#### Faucet:

Flow rate: 0.5 gal/min (1.9 l/min)  
 Valve body: Machined-brass  
 Drain included: No

### Notes

Install this product according to the installation guide.

A  $1\text{-}1/4\text{''}$  (32 mm) minimum to  $1\text{-}1/2\text{''}$  (38 mm) maximum diameter mounting hole is required.

The minimum distance between the back of the faucet spout and the wall must be  $1\text{-}3/4\text{''}$  (44 mm). This will allow proper clearance for setscrew access.

The maximum distance between the bathroom sink basin edge to the base of the faucet spout must be  $1\text{-}3/4\text{''}$  (44 mm).

The maximum height of the lip basin should be  $3/4\text{''}$  (19 mm).

Product includes rosebud spray aerator. Other aerator styles are available.

ADA, OBC, CSA B651 compliant when installed to the specific requirements of these regulations.